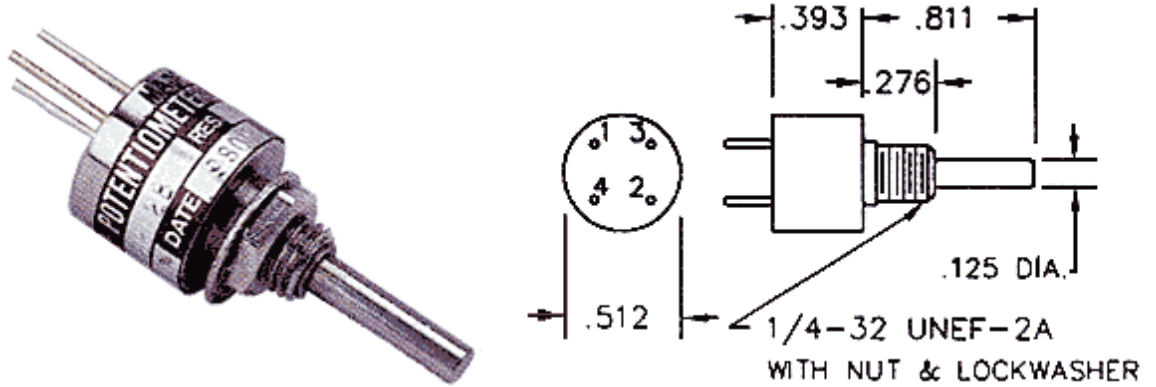




SP12B Conductive Plastic Precision Single Turn Potentiometer



SP12B Single Turn Potentiometer

- Conductive Plastic Element. Gold Plated Wire Terminals.
- Brass Plated Housing. Stainless Steel Shaft.
- Recommended for Medical Equipment (non-life support), Robotics, Industrial, Test and Lab Equipment.
- Life Expectancy: 5 million turns
- Resistance Tolerance: $\pm 15\%$ standard ($\pm 10\%$ available)
- Linearity Tolerance: $\pm 2\%$ standard ($\pm 1.0\%$ available)
- Mechanical Angle: 360° (Continuous)
- Electrical Angle: $300^\circ \pm 5^\circ$
- Torque: 0.3 oz. in.
- Weight: 8 grams

For Additional Product Information, refer to the
[Single Turn Potentiometer Design Guide](#)

[HOME PAGE](#)

[Linear Motion Potentiometers](#)

[Single Turn Potentiometers](#)

[Multi-Turn Potentiometers](#)

[Industrial Joysticks](#)

[Foot Controllers](#)

[Valve Actuators](#)

[Turn Counting Dials](#)

[Cross Reference](#)

[ETI Systems Sales Reps](#)

[ETI Systems Distributors](#)

RoHS/WEEE

Contact
ETI Systems at:
(760) 929-0749
eti@etisystems.com

Request For Quotation (Requires User Registration)

Electrical Specifications:

Resistance Value (500 to 100K ohms standard)

Mechanical Options:

- **CT** Center Tap
- **SP** Stops (Rotational angles become 300° electrical & 310° mechanical)
- **SL** Side Load Treatment (to provide extended bushing life)
Servo mounting with ball bearings
- **S** (Rotational angles become 300° electrical & 310° mechanical; life expectancy becomes 10,000,000 turns)

Comments & Special Requirements:

Quantity Required

Date Required

Return to: [Single Turn Potentiometer Selection Guide](#)

Call ETI Systems at **(760)929-0749** to order by phone
or for assistance with your custom application